

SPECIFICATIONS

Electrical Ratings	50mA @ 24VDC
Electrical Life	500,000 cycles typical
Contact Resistance	< 10 mΩ initial
Actuation Force	150 +/- 50gF
Actuator Travel	1.5 +/- .3mm
Dielectric Strength	1000Vrms min
Insulation Resistance	> 100MΩ min
Operating Temperature	-40°C to 85°C
Storage Temperature	-40°C to 85°C



MATERIALS ←RoHS COMPLIANT

Cap	6/6 Nylon
Housing	6/6 Nylon
Stem	ABS
Contacts	Copper Alloy, Gold over Nickel Plated
Terminals	Copper Alloy, Gold over Nickel Plated

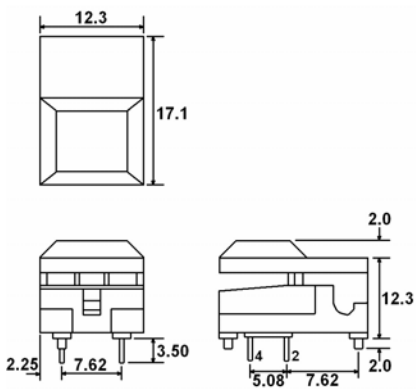
ORDERING INFORMATION

1. Series:	JH	A1	3	1
JH				
2. Cap Style:				
A0				
A1				
A2				
B0				
B1				
B2				
3. Cap Color:				
1 = White	6 = Orange			
2 = Black	7 = Blue			
3 = Red	9 = Light Gray			
4 = Yellow	10 = Transparent			
5 = Green				
4. LED 1 - Color:				
Blank = No LED				
R = Red				
Y = Yellow				
G = Green				
5. LED 2 - Color:				
Blank = No LED				
R = Red				
Y = Yellow				
G = Green				

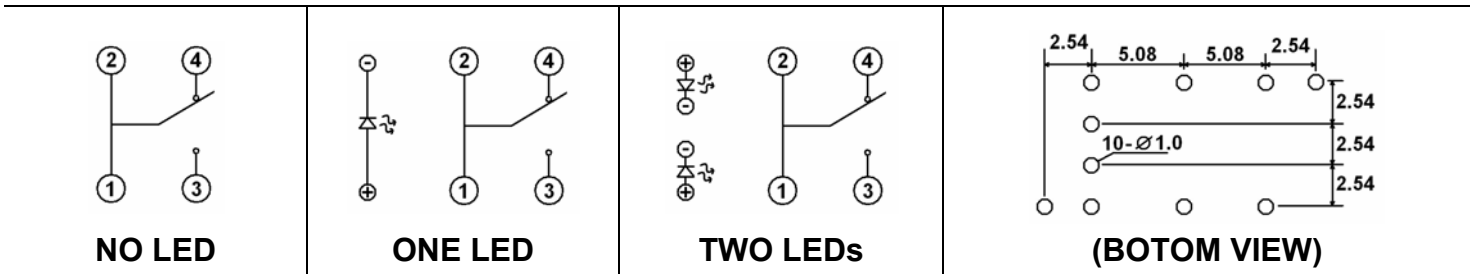
LED SPECIFICATIONS

LED Ratings		Value			Units
		R	G	Y	
Reverse Voltage	V_R	5	5	5	V
Forward Current (avg / peak)	I_F / I_{FS}	30 / 125	30 / 125	30 / 125	mA
Reverse Current $V_R = 5V$	I_R	10	10	10	μA
Power Dissipation	P_T	69	81	81	mW
Forward Voltage (typ. / max), $I_F = 20mA$	V_F	1.8 / 2.3	2.2 / 2.7	2.2 / 2.7	V
Wavelength, Peak Emmission, $I_F = 20mA$	λ_P	660	565	585	nm
Spectral Line Half-Width, $I_F = 20mA$	$\Delta\lambda$	24	30	35	nm
Luminous Intensity, $I_F = 20mA$	LI	4	6	6	mcd
Viewing Angle	Θ	150	150	150	Deg

DIMENSIONS



SCHEMATICS & PC LAYOUT



CAP OPTIONS

